

AOT302A

Electric Operating Table

AOT302A can meet various requirements from all departments surgery. Extra wide tabletop, long horizontal sliding that can be suitable for both X-ray and C-arm use. Adopted micro touch remote control that enables flexible and smooth adjustments on head plate, back plate and seat plate. With built-in kidney bridge. High automation, low noise, high reliability. Key parts adopted imported ones, can be regarded as an ideal electric operating table.



STANDARD ACCESSORIES

Anesthetic Screen	1 Piece
Kidney Bridge Handle	1 Piece
Shoulder Support	1 Pair
Body Support	1 Pair
Arm Support	1 Pair
Long Fixing Clamp	1 Pair
Leg Support	1 Pair
Foot Plate	1 Pair
Fixing Clamp	8 Pieces
Hand Remote	1 Piece
Mattress	1 Set
Power Line	1 Piece

WANROOEMED

YOUR IDEAL OPERATING TABLE SUPPLIER

WANROOE MACHINERY CO.,LTD.

www.wanrooemed.com
Tel: 0086-512-58810860
Fax: 086-512-58810663



WANROOEMED

YOUR IDEAL OPERATING TABLE SUPPLIER
MEET THE VARIOUS REQUIREMENTS OF GENERAL SURGERY

AOT302A
Electric Operating Table



WANROOEMED YOUR IDEAL OPERATING TABLE SUPPLIER
MEET THE VARIOUS REQUIREMENTS OF GENERAL SURGERY



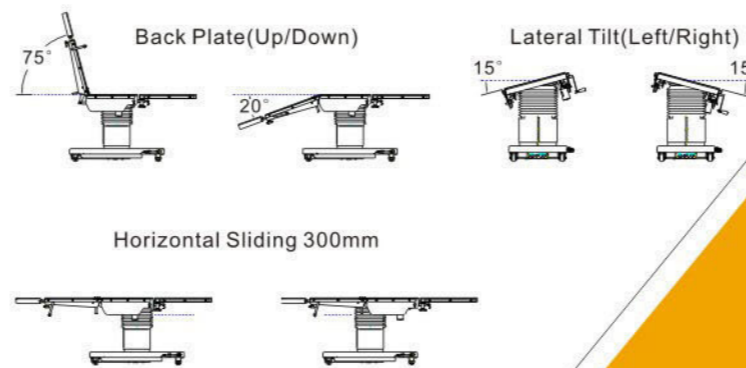
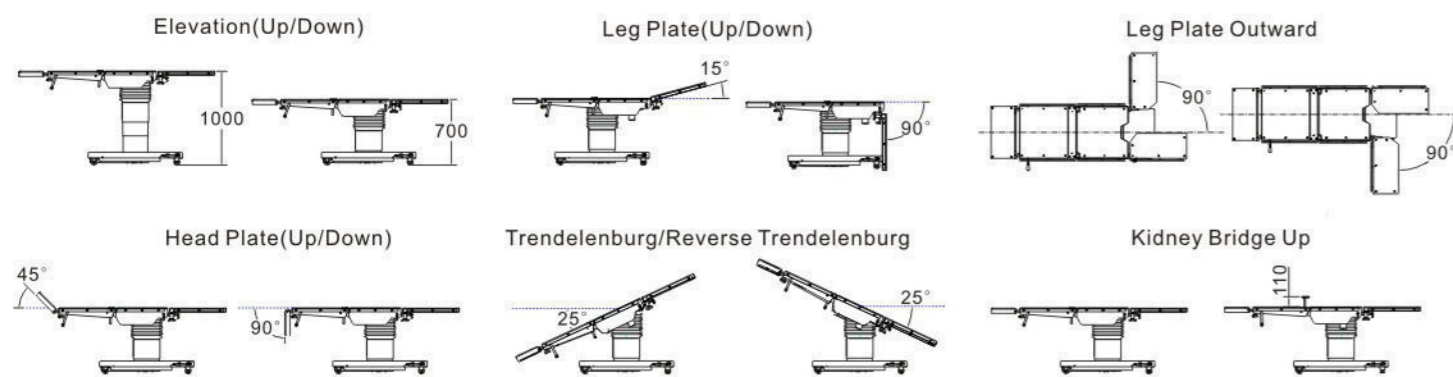
AOT302A

Electric Operating Table



Item	Model	302A Advance	302A Normal	302A Economy
Tabletop Length		2070mm	2070mm	2070mm
Tabletop Width		550mm	550mm	550mm
Tabletop Minimum Height		700mm	700mm	700mm
Tabletop Maximum Height		1000mm	1000mm	1000mm
Trendelenburg/Reverse Trendelenburg		25°/25°	25°/25°	25°/25°
Lateral Tilt		15°/15°	15°/15°	15°/15°
Head Rest(Up/Down)		45°/90°	45°/90°	45°/90°
Foot Plate(Up/Down)		15°/90°	15°/90°	15°/90°
Foot Plate Horizontal Positioning		90°	90°	90°
Back Plate(up/down)		75°/20°	75°/20°	75°/20°
Kidney Bridge Elevation		110mm	110mm	NO
Horizontal Sliding		300mm	NO	NO
Voltage		220V/110V	220V/110V	220V/110V
Frenquency		50Hz/60Hz	50Hz/60Hz	50Hz/60Hz
Power Capacity		1.0Kw	1.0Kw	1.0Kw
Battery		Yes	Yes	Yes
Mattress		Memory Mattress	Memory Mattress	General Mattress
Accessory		PU By Moulding	PU By Moulding	Man-Made Leather
Main Material		304 Stainless Steel	304 Stainless Steel	304 Stainless Steel
Maximum Load Capacity		200KG	200KG	200KG
Warranty		2 Years	2 Years	2 Years

Movements Diagram of AOT300C



WANROOEMED
YOUR IDEAL OPERATING TABLE SUPPLIER
MEET THE VARIOUS REQUIREMENTS
OF GENERAL SURGERY