

# WANROOEMED

Your Ideal Operating Table Supplier

Well Sold For 40 Years Worldwide  
Meet The Basic Demands Of General Surgery

## AOT700S Electro-hydraulic operating table

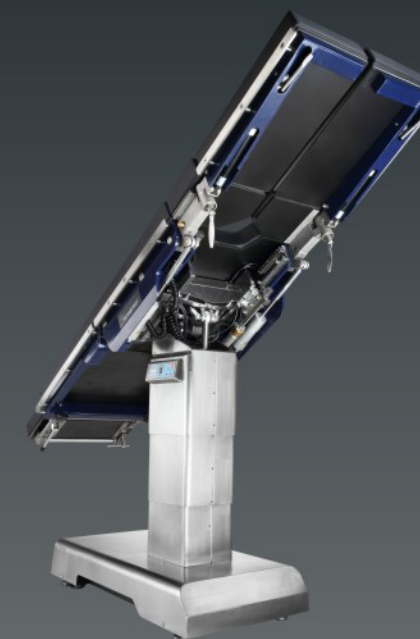
Developments made in the conjunction with doctors: this is one of the basic principles which has made WANROOEMED the world market leader for operating tables. Close cooperation and years of experience have resulted in tried and tested products which facilitate the work in the operating room and help to increase the safety and comfort of the patient.

Best example: this table can withstand even extreme loads in any position. The modular structure enables it to be adapted to match the size of the patient and in no time at all it can be equipped for any surgical discipline. A longitudinal shift of up 350mm makes the operating table even more versatile.



## Your Ideal Operating Table Supplier

Well Sold For 40 Years Worldwide  
Meet The Basic Demands Of General Surgery



# WANROOEMED

Your Ideal Operating Table Supplier

Well Sold For 40 Years Worldwide  
Meet The Basic Demands Of General Surgery

Electro-hydraulic operating table

## AOT700S



江苏如翼医疗科技有限公司  
JIANGSU ROOE MEDICAL TECHNOLOGY CO.,LTD.  
Add: Room1311,1313, Guotai New World Plaza, No19,  
East Renmin Road,Zhangjiagang, Jiangsu, China.  
Tel:+86 512 58810663  
Whatsapp/Mobile:+ 86-18962287398;15962399164  
Email:info@wanrooemed.com  
Http://wanrooemed.com

JIANGSU ROOE MEDICAL TECHNOLOGY CO.,LTD.



# WANROOEMED

Your Ideal Operating Table Supplier

Well Sold For 40 Years Worldwide  
Meet The Basic Demands Of General Surgery

## AOT700S Electro-hydraulic operating table



### Product Description

Engineered for increasingly complex surgical scenes, AOT700S comes with intelligent automatic control system satisfying various demands of general surgeries. Extra wide tabletop, extreme loading system, long horizontal sliding that can be suitable for both X-ray and C-arm. AOT700S is an ideal electro-hydraulic operating table.

- Longitudinal slide up to 350mm for free access to C arm
- Extreme weight load capacity of 300kgs with highest safety and stability
- Memory pad with antistatic, waterproof design.
- Standard override panel control makes the control safer
- "EASY CLICK" leg plate control by electro-hydraulic and manual
- Battery power for 50-80 operations



PARAMETER AOT700S Electro-hydraulic operating table

Movements		Model: AOT700S
Tabletop trendelenburg	Reverse Trendelenburg	≥ 30°
	Trendelenburg	≥ 30°
Lateral Tilt (Left And Right)		≥ 20°
Head plate	Up	≥ 40°
	Down	≥ 90°
Back plate	Up	≥ 85°
	Down	≥ 40°
Leg plate	Up	≥ 15°
	Down	≥ 90°
	Outward	≥ 90°
Kidney bridge elevation		110mm
Horizontal sliding		≥ 350mm

### Details



1. Maximum 350mm motorised longitudinal shift for flexible use of the C-arm.
2. "EASY CLICK" for simple and quick module changes.
3. Leg plate: Imported gas spring for easy controls.
4. One button reposition function, designed and made specially for X-ray and C-arm use.
5. Double control system.
6. Built-in kidney bridge.
7. Two Joint head plate.



# WANROOEMED

Your Ideal Operating Table Supplier

Well Sold For 40 Years Worldwide  
Meet The Basic Demands Of General Surgery

Model	Site	Length	Width	Tabletop lowest height	Elevation range
AOT700S		≥ 2170mm	≥ 550mm	≤ 690mm	≥ 410mm

### STANDARD ACCESSORIES

Anaesthesia screen	1 piece	Body support	1 pair	Leg support	1 pair	Hand remote	1 piece
Kidney bridge handle	1 piece	Arm support	1 pair	Foot support	1 pair	Mattress	1 set
Shoulder support	1 pair	Long fixing clamp	1 pair	Fixing clamp	8 pieces	Power Line	1 piece

